



Features

- Output voltage tolerance $\leq \pm 2\%$
- Very low standby current consumption
- Input voltage up to 42 V
- Reset function down to 1 V output voltage
- Adjustable reset time
- On/Off logic
- Overtemperature protection
- Reverse polarity protection
- Short-circuit proof
- Very wide temperature range
- Very small output capacitor
- Green Product (RoHS compliant)
- AEC Qualified



Functional Description

The **TLE 4287 G** is a monolithic integrated 5 V voltage regulator in **PG-DSO-14** package. It supplies an output current $I_Q > 250$ mA. The IC is short circuit proof and incorporates temperature protection which turns off the device at overtemperature.

The input voltage V_I is regulated in the range of $7.5 \text{ V} < V_I < 40 \text{ V}$ to $V_{Q,nom} = 5 \text{ V}$. Therefore a reference voltage, which is kept highly accurate by resistance adjustment, is compared via a control amplifier to a voltage that is proportional to the output voltage. The control amplifier drives the base of the series transistor by a buffer.

A comparator in the reset-generator block compares a reference voltage that is independent of the input voltage to the scaled-down output voltage. In the case of an output voltage $V_Q < 4.5 \text{ V}$ the reset delay capacitor is discharged and a reset signal is generated by setting the reset output LOW. The reset delay time can be set by choosing the external capacitor over a wide range. When the output voltage rises above $V_Q \geq 4.5 \text{ V}$ the reset delay capacitor is charged again. As soon as the delay capacitor voltage reaches the upper switching threshold the reset output pin is set HIGH again.

Type	Package
TLE 4287 G	PG-DSO-14

The device has two logic inputs, EN and H. It is turned ON by a voltage $> 4\text{ V}$ at EN, for example by the ignition and remains active in case H is set LOW, even if the voltage at EN goes LOW. This makes it possible to implement a self-holding circuit without external components. When the device is turned OFF, the output voltage drops to 0 V and current consumption tends towards $0\text{ }\mu\text{A}$ (see [Table 1](#)).

Design Notes for External Components

The input capacitor C_1 is necessary for compensation line influences. The resonant circuit consisting of lead inductance and input capacitance can be damped by a resistor of approx. $1\text{ }\Omega$ in series with C_1 . The output capacitor is necessary for the stability of the regulating circuit. Stability is guaranteed for $C_Q \geq 100\text{ nF}$ within the operating temperature range.

Table 1 State Table for Turn-On/Turn-Off Logic

Enable EN	Hold H	V_Q	Remarks
L	X	0 V	Initial state
H	X	5 V	Regulator switched on via pin 6, by ignition for example
H	L	5 V	Pin 9 clamped active to GND by controller while pin 6 is still HIGH
X	L	5 V	Previous state remains, even ignition is shut off: self-holding state
L	L	5 V	Ignition shut off while regulator is in self-holding state
L	H	0 V	Regulator shut down by releasing of pin 9 while pin 6 remains LOW, final state. No active clamping required by external self-holding circuit (μC) to keep regulator shut off

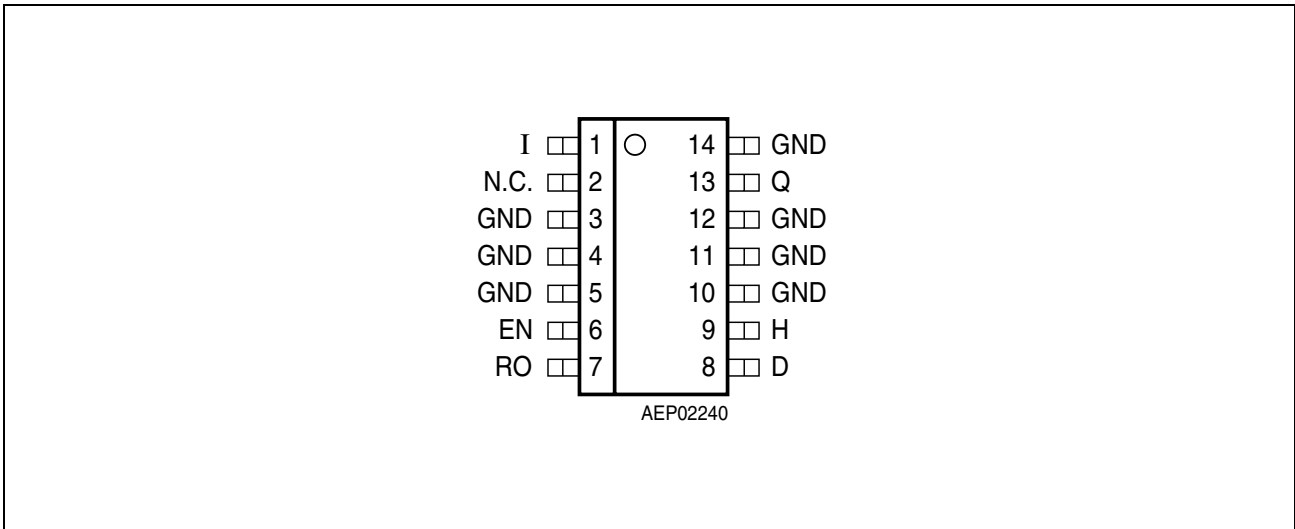


Figure 1 Pin Configuration (top view)

Table 2 Pin Definitions and Functions

Pin No.	Symbol	Function
1	I	Input ; block to ground directly at the IC by a ceramic capacitor
2	N.C.	Not connected
3, 4, 5, 10, 11, 12, 14	GND	Ground
6	EN	Enable ; active high, device is turned ON by HIGH signal at this pin, internally connected to GND via pull-down resistor of 100 kΩ
7	RO	Reset Output ; open-collector output, internally connected to Q via a pull-up resistor of 30 kΩ
8	D	Reset Delay ; connect to GND via external delay capacitor for setting delay time
9	H	Hold and release; active low, see Table 1 for function, connected to Q via a pull-up resistor of 50 kΩ
13	Q	Output ; block to GND with a capacitor $C_Q \geq 100$ nF

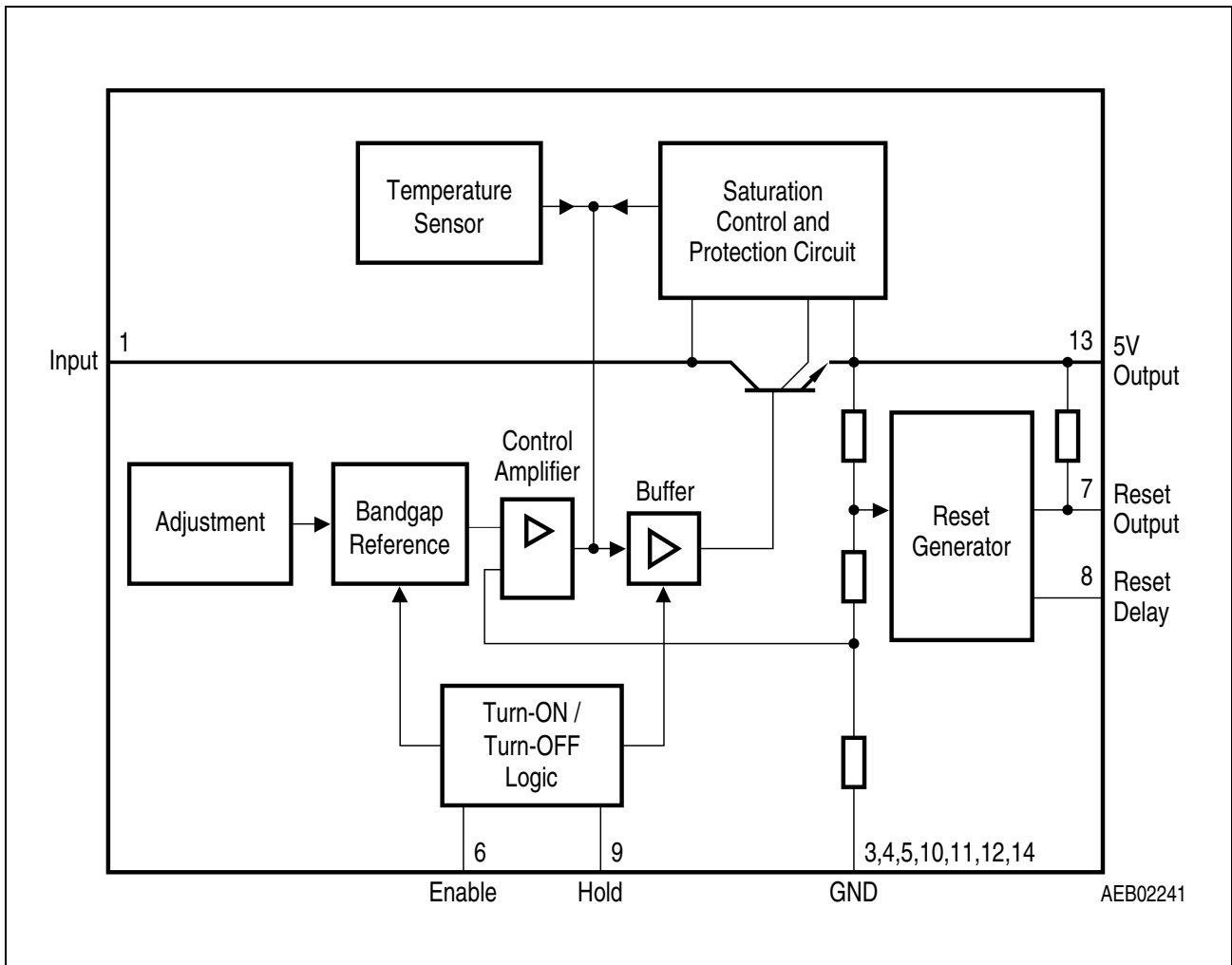


Figure 2 Block Diagram

Table 3 Absolute Maximum Ratings

Parameter	Symbol	Limit Values		Unit	Remarks
		Min.	Max.		
Input I					
Voltage	V_I	-0.5	42	V	–
Current	I_I	–	–	mA	internally limited
Output Q					
Voltage	V_Q	-0.3	7	V	–
Current	I_Q	–	–	–	internally limited
Reset Output RO					
Voltage	V_R	-0.3	7	V	–
Current	I_R	–	–	–	internally limited
Reset Delay D					
Voltage	V_D	-0.3	42	V	–
Current	I_D	–	–	–	–
Enable EN					
Voltage	V_{EN}	-42	42	V	–
Current	I_{EN}	-5	5	mA	$t \leq 400$ ms
Hold H					
Voltage	V_H	-2	7	V	–
Current	I_H	–	–	–	internally limited
Ground GND					
Current	I_{GND}	-0.5	–	A	–
Temperatures					
Junction temperature	T_j	-40	150	°C	–
Storage temperature	T_{stg}	-50	150	°C	–
ESD Susceptibility					
ESD Resistivity to GND	V_{ESD}	-1.5	1.5	kV	HBM ¹⁾

1) ESD susceptibility, Human Body Model HBM according to EIA/JESD 22-A114B

Note: Maximum ratings are absolute ratings; exceeding any one of these values may cause irreversible damage to the integrated circuit.

Table 4 Operating Range

Parameter	Symbol	Limit Values		Unit	Remarks
		Min.	Max.		
Input voltage	V_I	7.5	42	V	–
Junction temperature	T_j	-40	165	°C	–
Thermal Resistances					
Junction pin	$R_{thj-pin}$	–	32	K/W	measured to pin 4
Junction ambient	R_{thj-a}	–	112	K/W	¹⁾

1) Package mounted on PCB 80 × 80 × 1.5 mm³; 35μ Cu; 5μ Sn; Footprint only; zero airflow.

Table 5 Electrical Characteristics
 $7.5\text{ V} \leq V_I \leq 40\text{ V}$; $-40\text{ }^\circ\text{C} < T_j < 150\text{ }^\circ\text{C}$; $V_{EN} > 4\text{ V}$ (unless otherwise specified)

Parameter	Symbol	Limit Values			Unit	Test Condition
		Min.	Typ.	Max.		
Output voltage	V_Q	4.90	5.0	5.10	V	$5\text{ mA} < I_Q < 200\text{ mA}$ $7.5\text{ V} < V_I < 22\text{ V}$
Output voltage	V_Q	4.90	5.0	5.10	V	$5\text{ mA} < I_Q < 80\text{ mA}$ $7.5\text{ V} < V_I < 36\text{ V}$
Output current limitation	I_Q	250	–	–	mA	$V_I < 22\text{ V}$
Drop voltage	V_{DR}	–	1.8	2.5	V	$I_Q = 200\text{ mA}^{1)}$
Current consumption $I_q = I_I - I_Q$	I_q	–	1.0	10	μA	Regulator OFF: $T_j < 125\text{ }^\circ\text{C}$, $V_{EN} = 0\text{ V}$, H = open $7.5\text{ V} \leq V_I \leq 16.5\text{ V}$
Current consumption $I_q = I_I - I_Q$	I_q	–	2.3	5	mA	$5\text{ mA} < I_Q < 200\text{ mA}$, $V_I = 16\text{ V}$
Load regulation	$\Delta V_{Q,lo}$	-25	–	+25	mV	$5\text{ mA} < I_Q < 200\text{ mA}$
Line regulation	$\Delta V_{Q,li}$	-25	–	+25	V	$7.5\text{ V} < V_I < 22\text{ V}$ $I_Q = 20\text{ mA}$
Power Supply Ripple Rejection	$PSRR$	–	55	–	dB	$f_r = 100\text{ Hz}$; $V_r = 0.5\text{ Vpp}$
Temperature output voltage drift	$\Delta V_Q/\Delta T$	–	0.5	–	mV/K	–
Output capacitance	C_Q	100	–	–	nF	–

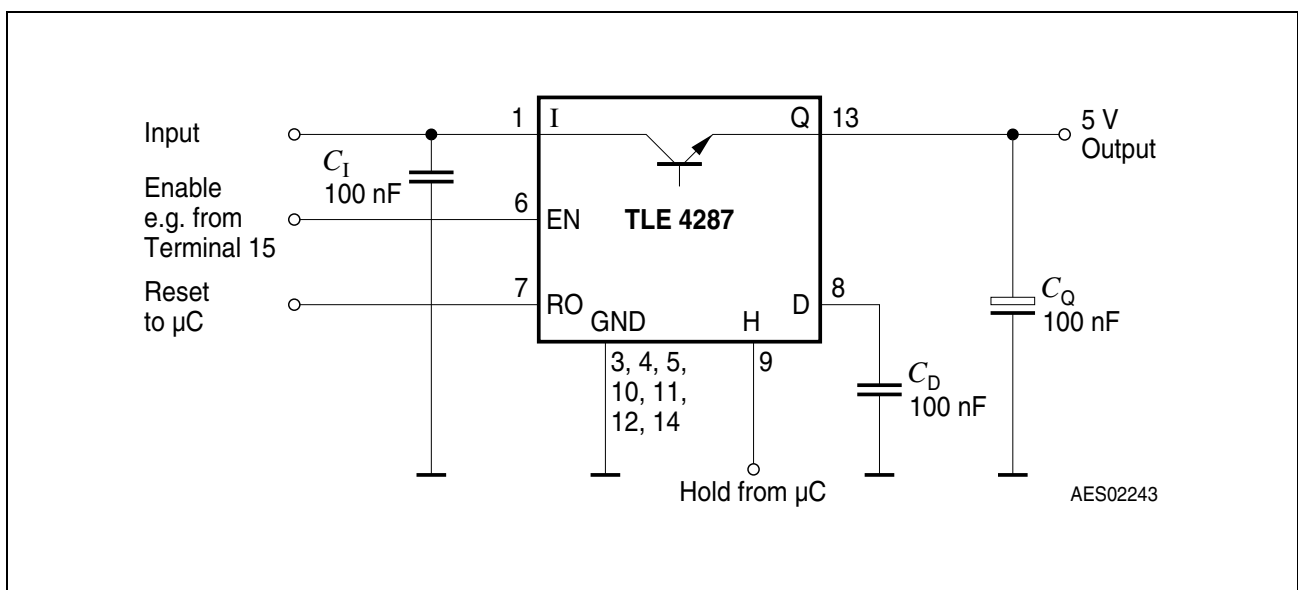
Reset Generator

Reset switching threshold	$V_{Q,rt}$	4.50	4.65	4.80	V	–
Reset output low voltage	V_{RL}	–	0.1	0.4	V	$R_{ext} = 4.7\text{ k}\Omega$ to $V_Q^{2)}$
Reset output high voltage	V_{RH}	4.5	–	5.05	V	$R_{ext} = \infty$
Reset pull-up resistor	R_R	20	30	40	k Ω	internally connected to Q
Reset charging current	$I_{D,c}$	10	15	38	μA	$V_D = 1.5\text{ V}$
Upper timing threshold	V_{DU}	2.2	3	3.6	V	–
Lower timing threshold	V_{DL}	0.1	0.43	0.8	V	–
Delay saturation voltage	$V_{D,sat}$	–	50	–	mV	$V_Q < V_{Q,rt}$

Table 5 Electrical Characteristics (cont'd)
 $7.5\text{ V} \leq V_I \leq 40\text{ V}; -40\text{ }^\circ\text{C} < T_j < 150\text{ }^\circ\text{C}; V_{\text{EN}} > 4\text{ V}$ (unless otherwise specified)

Parameter	Symbol	Limit Values			Unit	Test Condition
		Min.	Typ.	Max.		
Reset delay time	t_{rd}	7.5	20	30	ms	$C_D = 100\text{ nF}$
Reset reaction time	t_{rr}	0.5	2.0	4.0	μs	$C_D = 100\text{ nF}$
Enable EN, Hold H						
Enable turn-ON voltage	V_{EN}	2.3	3.0	4.0	V	IC turned-ON
Enable turn-OFF voltage	V_{EN}	2.0	2.5	3.5	V	IC turned-OFF
Enable pull-down resistor	R_{EN}	50	100	200	k Ω	internally connected to GND
Enable hysteresis	ΔV_{EN}	0.2	0.4	0.8	V	–
Enable input current	I_{EN}	–	35	100	μA	$V_{\text{EN}} = 4\text{ V}$
Hold keep on voltage	V_{H}	30	35	50	%	referred to V_Q ; $V_Q > 4.5\text{ V}$
Hold release voltage	V_{H}	60	70	80	%	referred to V_Q ; $V_Q > 4.5\text{ V}$
Hold pull-up resistor	R_{H}	20	50	100	k Ω	internally connected to Q

 1) Measured when the output voltage V_Q has dropped 100 mV from the nominal value.

 2) The reset output is LOW between $V_Q = 1\text{ V}$ and V_{tr} .

Figure 3 Application Circuit

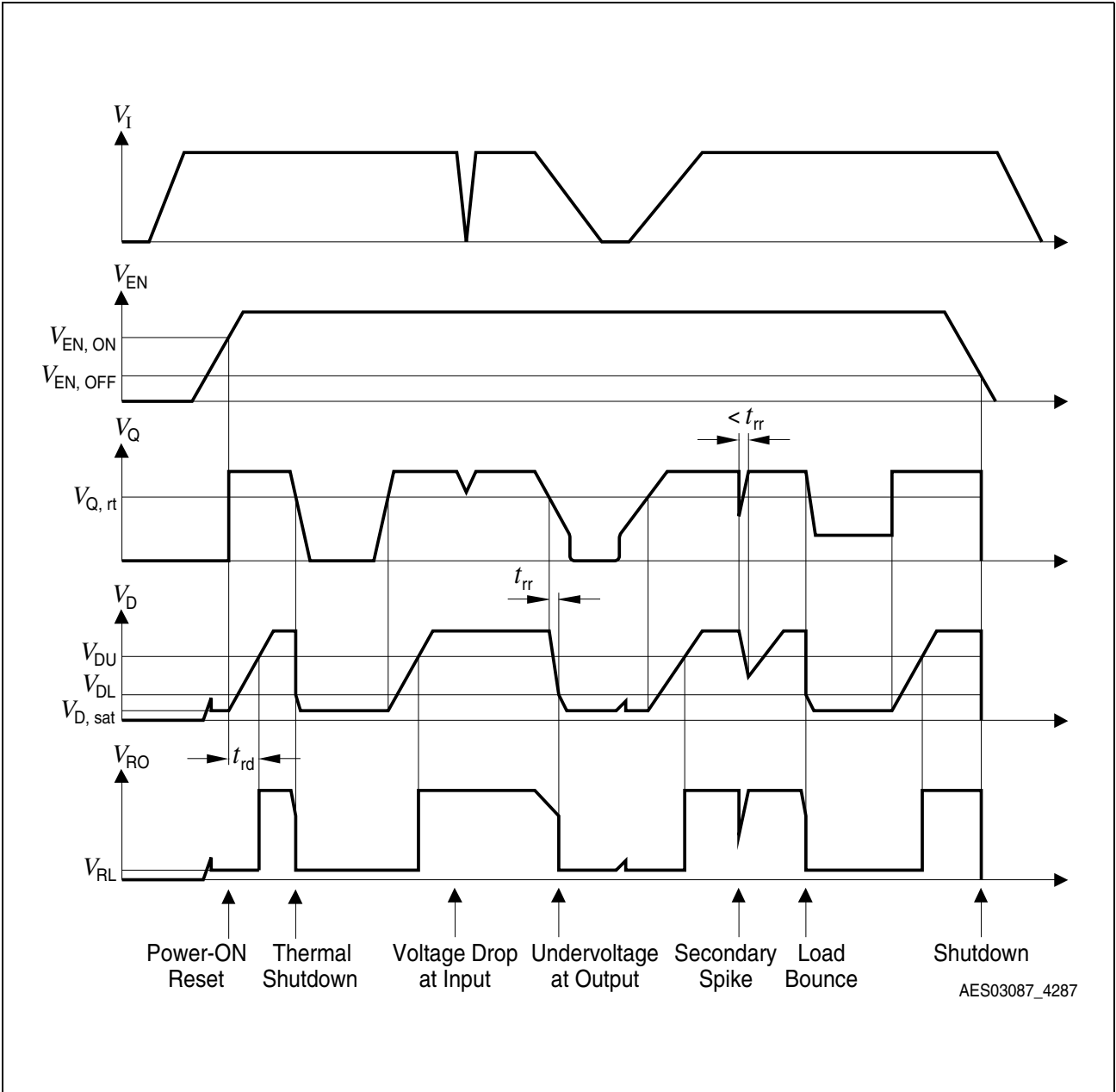


Figure 4 Time Response

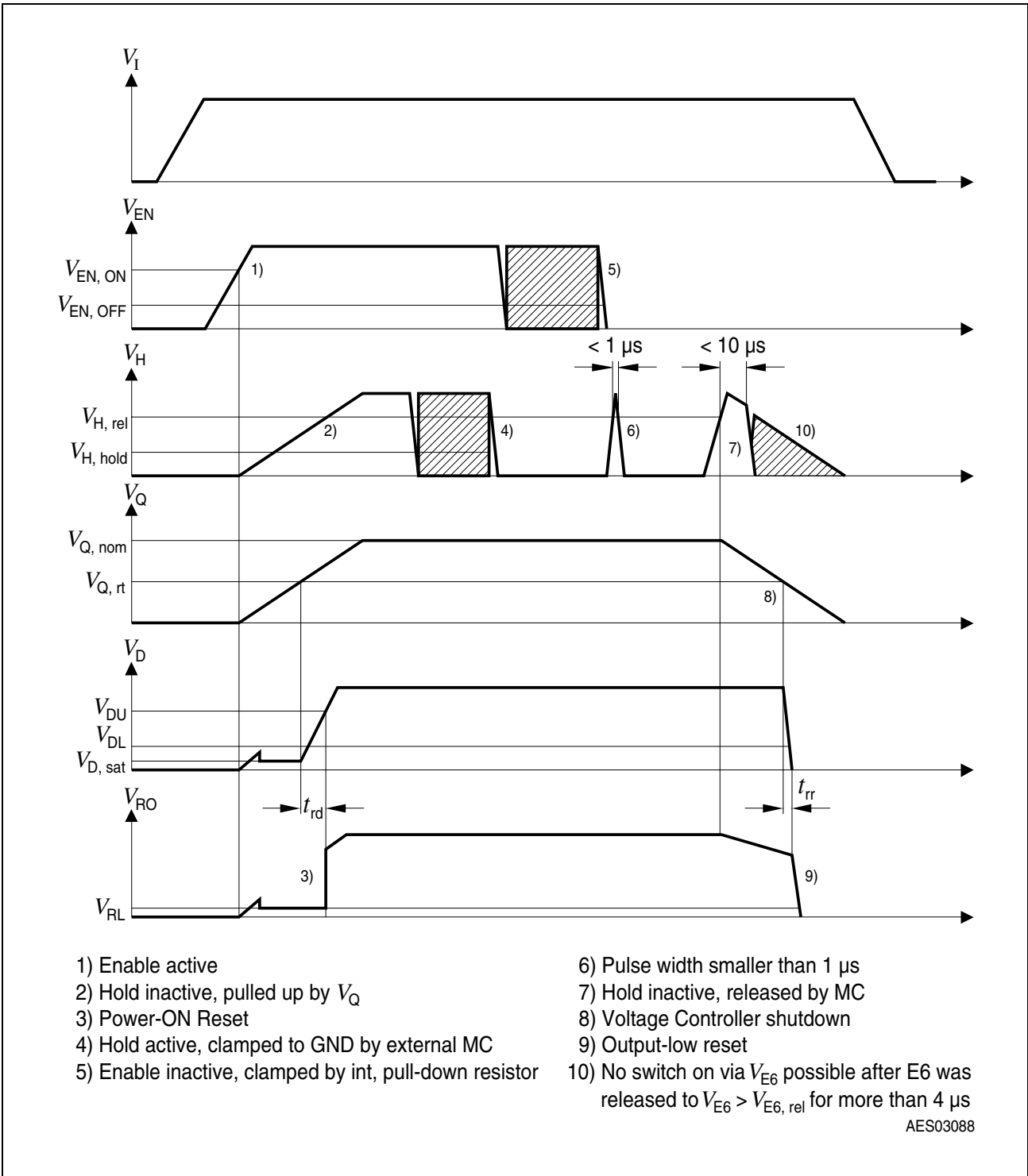


Figure 5 Enable and Hold Behavior

Package Outlines

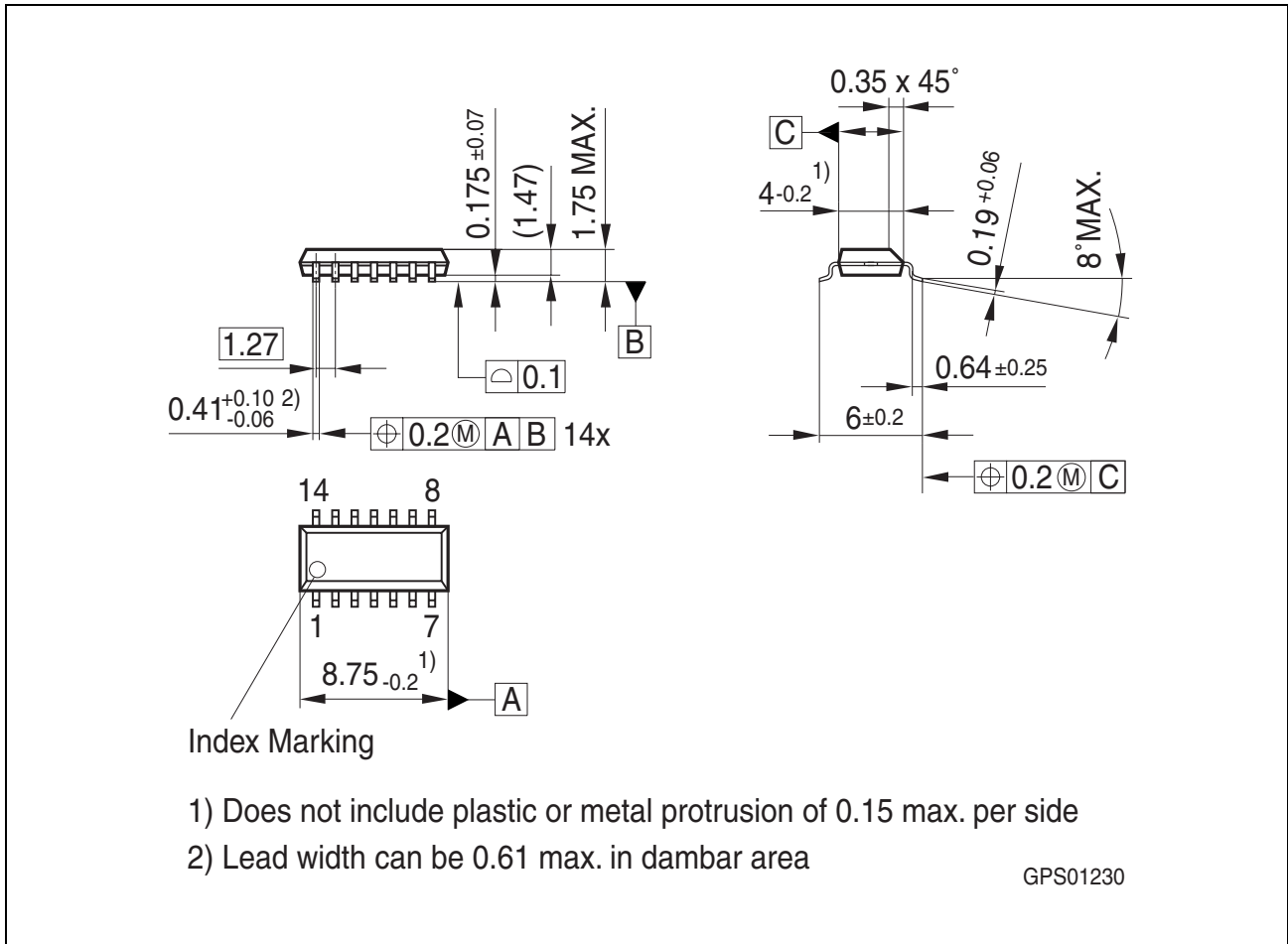


Figure 6 PG-DSO-14 (Plastic Dual Small Outline)

Green Product (RoHS compliant)

To meet the world-wide customer requirements for environmentally friendly products and to be compliant with government regulations the device is available as a green product. Green products are RoHS-Compliant (i.e Pb-free finish on leads and suitable for Pb-free soldering according to IPC/JEDEC J-STD-020).

Find more information on Infineon packages on the Infineon internet page "Packages": <http://www.infineon.com/packages>.

SMD = Surface Mounted Device

Dimensions in mm

Revision History

Version	Date	Changes
Rev. 1.4	2009-01-12	<p>Initial datasheet of RoHS-compliant product of TLE 4287 G.</p> <p>Page 1 and Page 6: “ESD 2kV” statements removed.</p> <p>Page 5: ESD specification added: HBM 1.5kV</p> <p>Page 5: Maximum Junction Temperature modified to $-40^{\circ}\text{C} < T_j < 150^{\circ}\text{C}$</p> <p>Table 5: Respecified Current Consumption I_q when Regulator OFF.</p> <p>Page 1: “AEC certified” statement added</p> <p>Page 1 and Page 12: RoHS compliance statement and Green product feature added</p> <p>Page 1 and Page 12: Package changed to RoHS compliant version</p> <p>Legal Disclaimer updated</p>

Edition 2009-01-12

**Published by
Infineon Technologies AG
81726 Munich, Germany**

**© 2009 Infineon Technologies AG
All Rights Reserved.**

Legal Disclaimer

The information given in this document shall in no event be regarded as a guarantee of conditions or characteristics. With respect to any examples or hints given herein, any typical values stated herein and/or any information regarding the application of the device, Infineon Technologies hereby disclaims any and all warranties and liabilities of any kind, including without limitation, warranties of non-infringement of intellectual property rights of any third party.

Information

For further information on technology, delivery terms and conditions and prices, please contact the nearest Infineon Technologies Office (www.infineon.com).

Warnings

Due to technical requirements, components may contain dangerous substances. For information on the types in question, please contact the nearest Infineon Technologies Office.

Infineon Technologies components may be used in life-support devices or systems only with the express written approval of Infineon Technologies, if a failure of such components can reasonably be expected to cause the failure of that life-support device or system or to affect the safety or effectiveness of that device or system. Life support devices or systems are intended to be implanted in the human body or to support and/or maintain and sustain and/or protect human life. If they fail, it is reasonable to assume that the health of the user or other persons may be endangered.